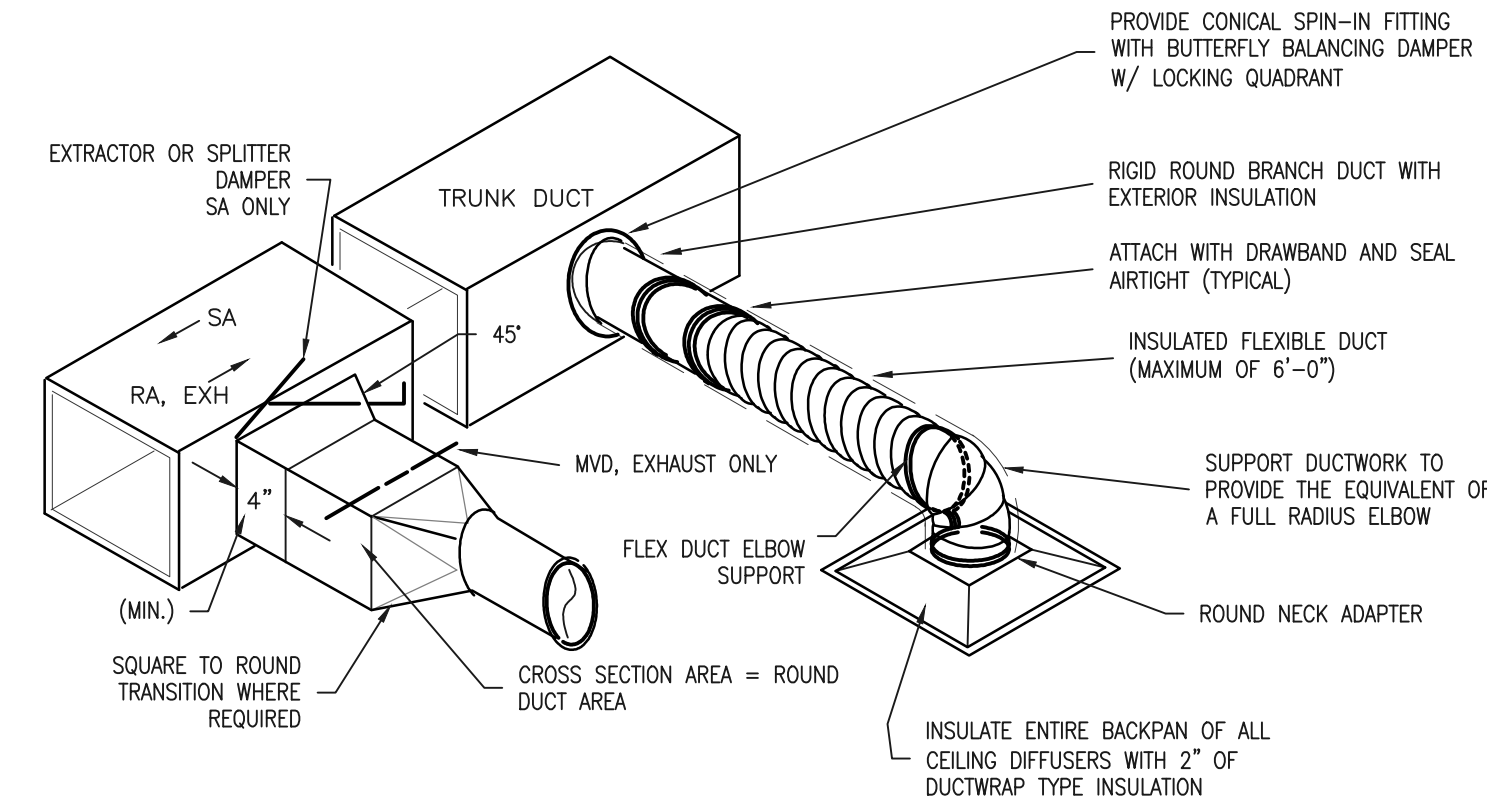
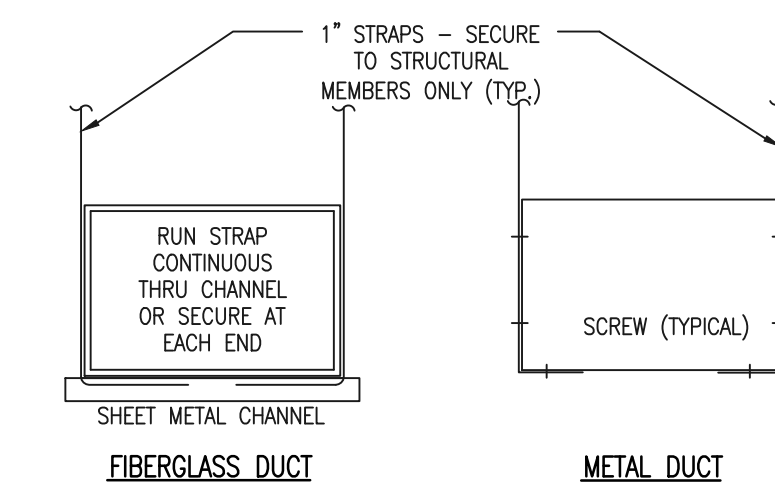


- NOTES:
- TURNING VANES ARE REQUIRED IN ALL SUPPLY, RETURN, FRESH AIR AND EXHAUST DUCTWORK ELBOWS.
 - FIBERGLASS TURNING VANES ARE ACCEPTABLE ONLY IF INSTALLED AT FACTORY IN PRE-MANUF. ELBOWS.

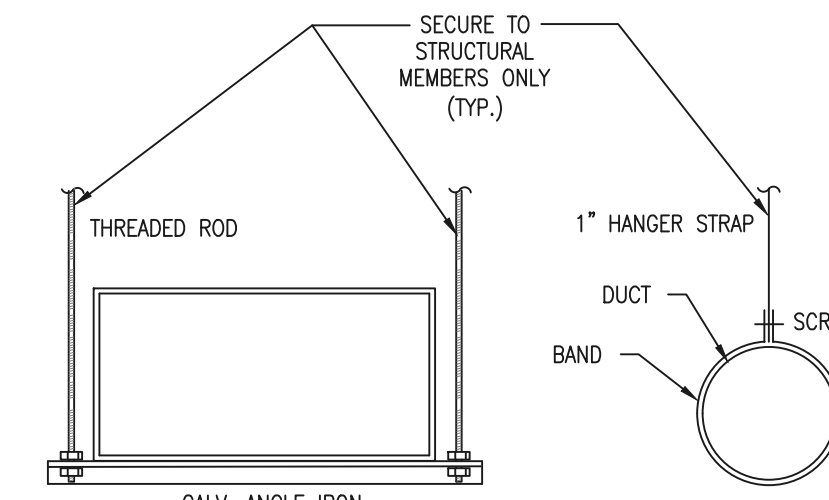
TURNING VANE DETAIL
NOT TO SCALE



DUCT TAKE-OFF DETAIL
NOT TO SCALE



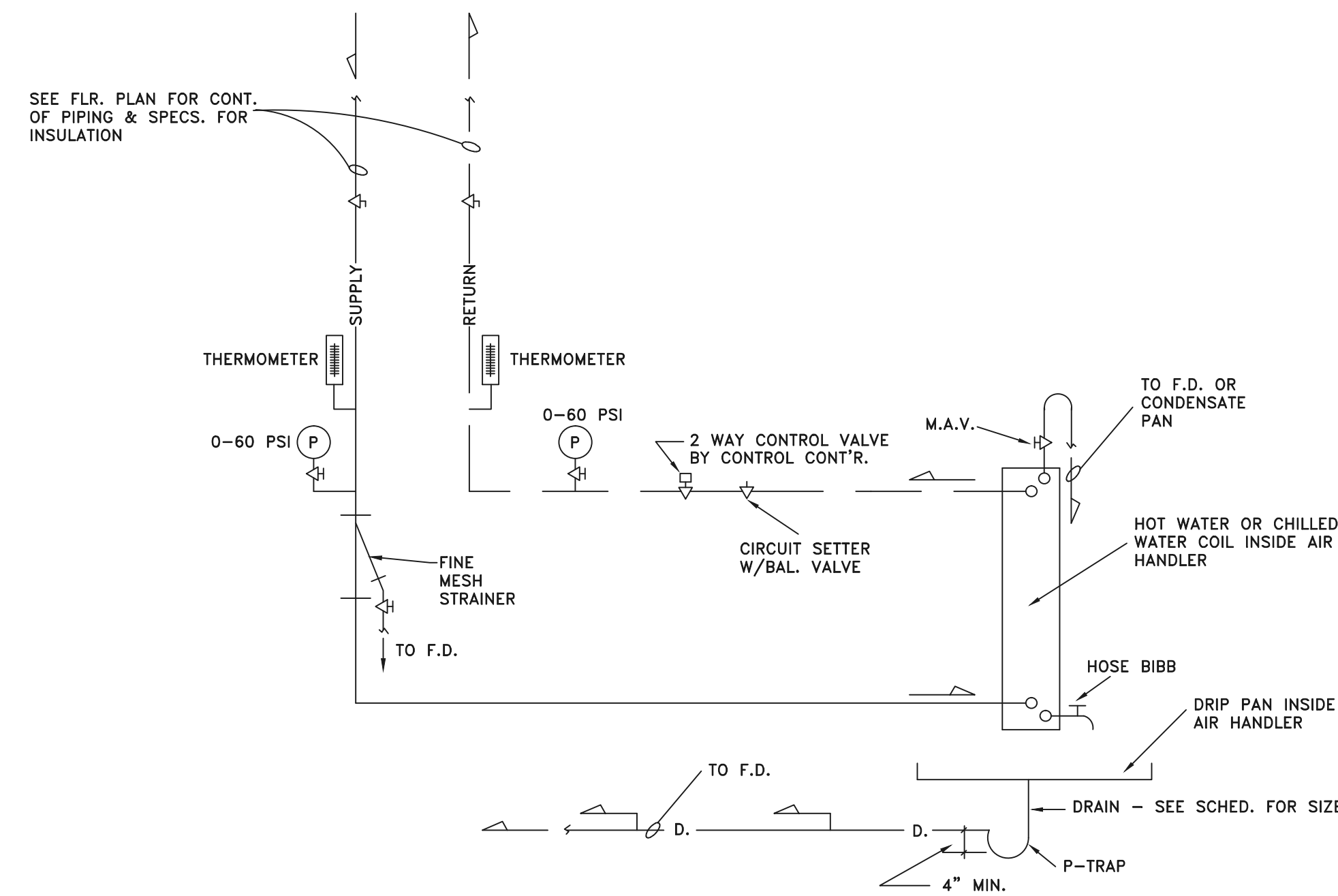
DUCTS UP TO 24" WIDTH



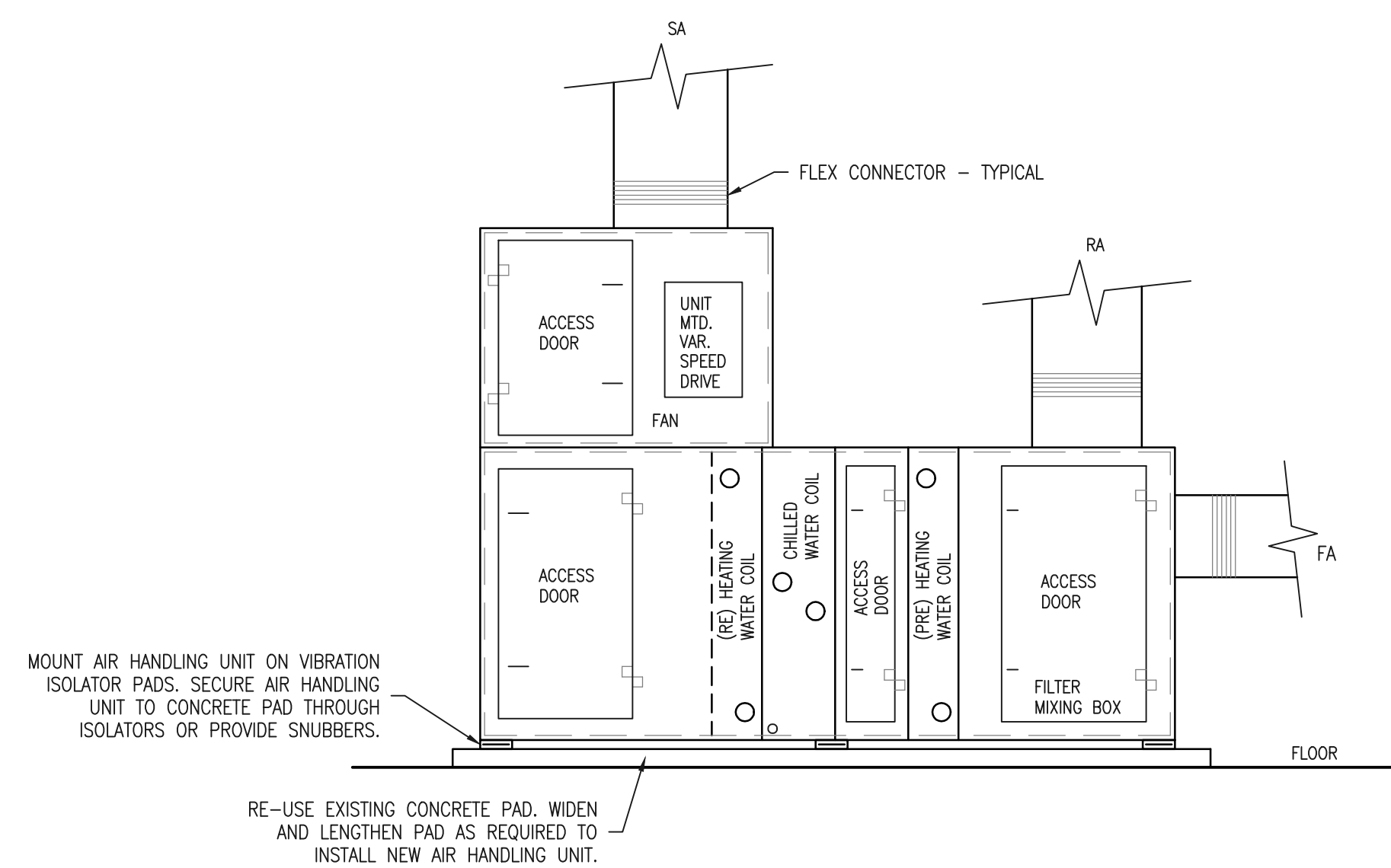
GREATER THAN 24" WIDTH

SEE SPECIFICATIONS TO DETERMINE IF AND WHEN FIBERGLASS DUCTWORK IS ALLOWED

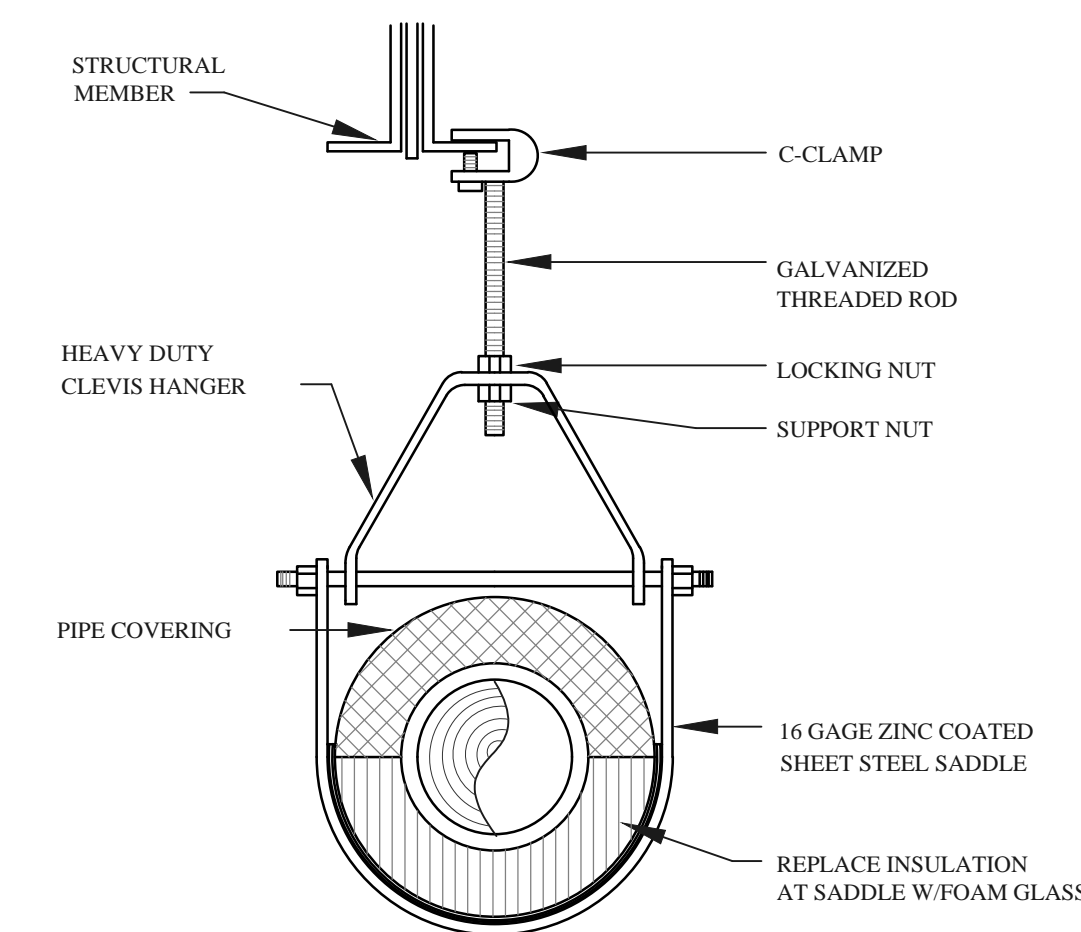
LOW PRESSURE DUCTWORK HANGER DETAIL
NOT TO SCALE



AIR HANDLER COIL PIPING DETAIL
NOT TO SCALE



AIR HANDLING UNIT INSTALLATION DETAIL
NOT TO SCALE



NOTE: TRAPEZE HANGERS ALSO ACCEPTABLE.

PIPE HANGER DETAIL
NOT TO SCALE

REVISIONS		DESCRIPTION		
		MARK	TIMES	
DATE				

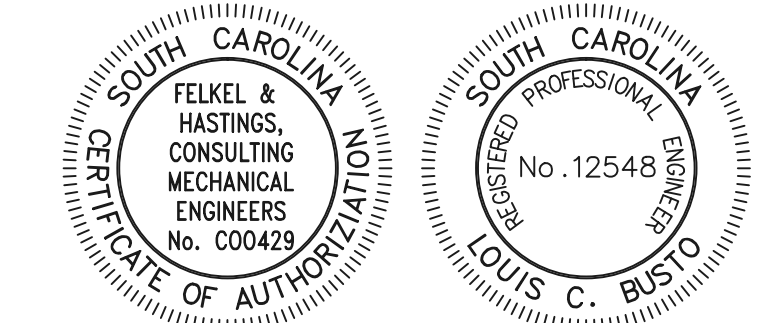
THIS DRAWING IS AN INSTRUMENT OF SERVICE AND REMAINS THE PROPERTY OF FELKEL & HASTINGS. IT IS TO BE KEPT IN A SAFE PLACE AND NOT COPIED OR REPRODUCED IN ANY MANNER WITHOUT WRITTEN PERMISSION. © COPYRIGHT 2015 FELKEL & HASTINGS, CONSULTING MECHANICAL ENGINEERS

ACADEMIC CENTER AIR HANDLER REPLACEMENT

FELKEL & HASTINGS
Mechanical Engineers
2725 Cypress Street
Columbia, S.C. 29205

MIDLANDS TECHNICAL COLLEGE AIRPORT CAMPUS COLUMBIA, SC

FOR REVIEW



DRAWN BY:	JCR
CHECKED BY:	JHK
COMM NO.:	14-63
DATE:	8 SEPTEMBER 2015
DRAWING NAME:	
SCALE:	AS NOTED

M-3
DRAWING NUMBER